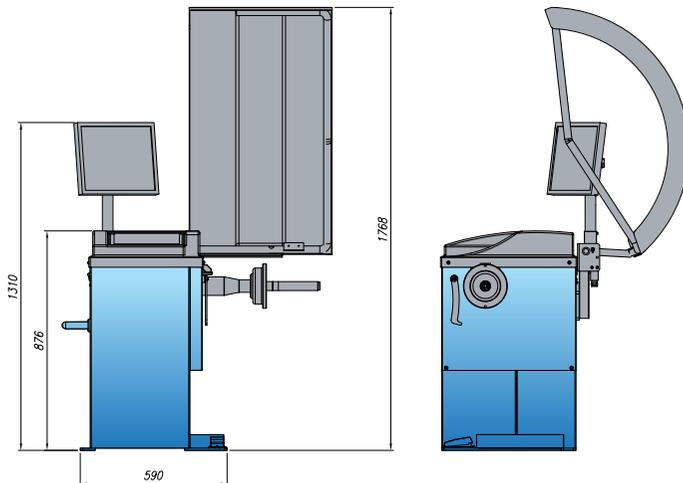


HW-105 | CE

LCD MONITOR WHEEL BALANCER



LAY-OUT



FEATURE

- Split weight function for aluminum wheels.
- Laser pointer indicating weight correcting position.
- Auto-distance input function.
- 17" LCD monitor type.
- One touch quick clamping nut.
- Rim distance gauge.
- Precise shaft.
- Wheel cover. (OPTION)

SPECIFICATION

| | | | |
|--------------------|---------------------------|-------------------------|--------------------------------|
| Model | HW-105 | Wheel Measurement Range | W: 1.5" ~ 14" |
| Measurement Method | Both Sides Simultaneously | | D: 10" ~ 22" |
| Measuring Time | 5 ~ 15 sec | Max. Wheel Diameter | 1,000mm (with wheel cover) |
| RPM | 200rpm | Power Supply | AC 110VAC, 1ph, 50/60Hz |
| Measuring Unit | 1g | | AC 230VAC, 1ph, 50/60Hz |
| Max. Wheel Weight | 65KG | Dimensions (mm) | 1,000(W) X 1,115(L) X 1,768(H) |